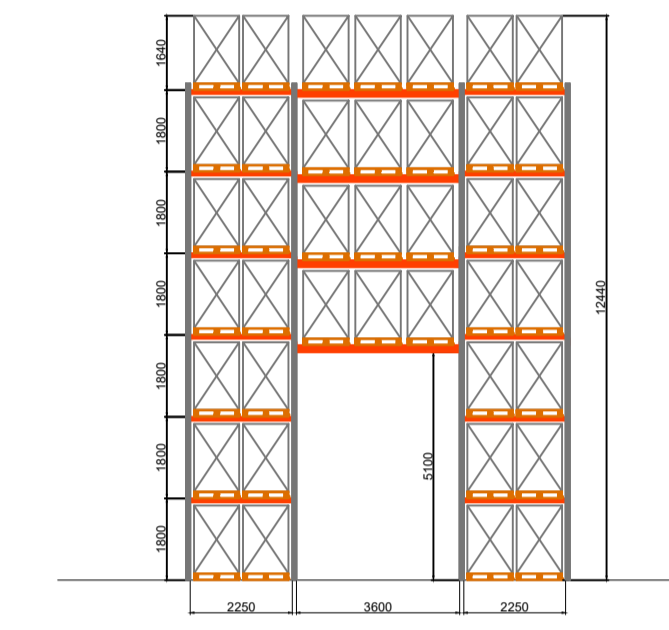
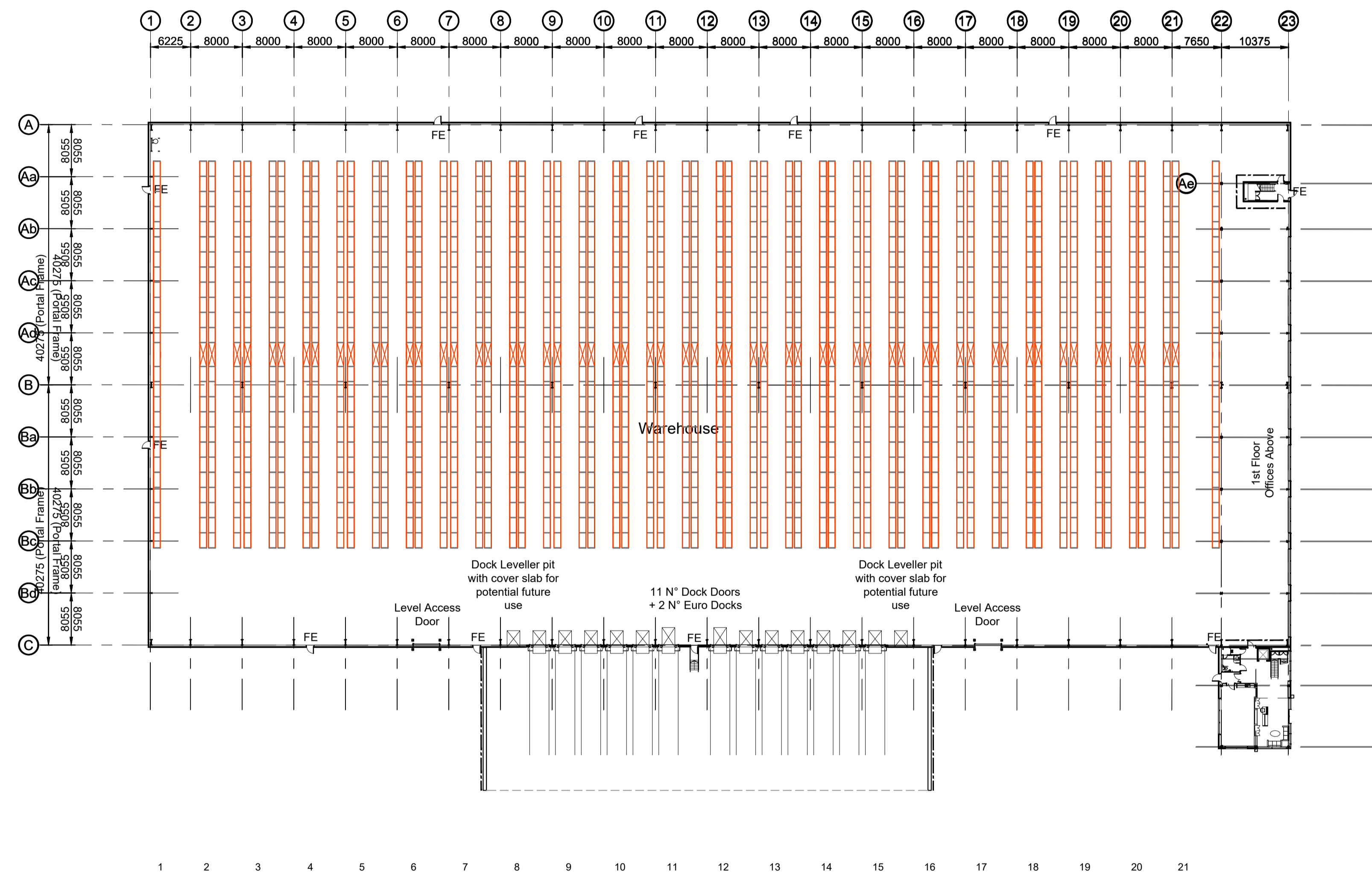


SCHEDULE OF ACCOMMODATION

Unit 2	
Warehouse Area	- 152,465 sq ft (14,164m ²)
Ground Floor Office	- 1,988 sq ft (184m ²)
1st Floor Office	- 9,258 sq ft (860m ²)
Total Area	- 163,711 sq ft (15,209m²)
Loading Docks	- 13
Level Access	- 2



Pallet Specification
 Type: UK
 Width: 1000mm
 Depth: 1200mm
 Height: 1640mm
 Weight: 1000KGS/UDL
 Overhang: None

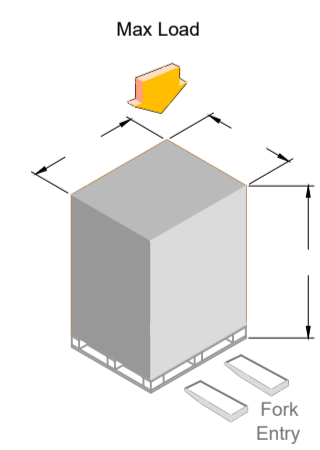
Fork Trunk Requirements
 Wide Aisle
 Minimum Rack to Rack = 2796mm
 Minimum Pallet to Pallet = 2696mm
 Camera system required at heights over 6m

Pallet Capacity
 20,898 useable locations

Further Information:
 If only Euro pallets in use, pallet number can be increased by circa 40%
 For alternative designs and layouts, please contact Brendan Oldfield on 07534 937703 or e-mail: brenndan.oldfield@whitlan-storage.com
 Link 51, Apex and Polypal pallet racking can be supplied directly from the manufacturer.
 Manufactured in the UK at our Milton Keynes Factory
 We will match any like for like quotation on production of an official quotation

20,898 Useable UK Pallet Locations

- Manufactured in the UK
- Supply & Installation
- Other configurations available



Unit 2 Building Layout Scale 1:500

Racking design by:

P01	First Issue	jrh	AJL	23/06/20
rev	amendments	by	ckd	date

Unit 2 Bedford Link,
 Bedford
 Illustrative Racking Layout with WA Racking

LMP (Bell Farm) Limited



Newark Beacon Innovation Centre, Cafferata Way, Newark, Nottinghamshire NG24 2TN
 t: +44 (0)1636 653027 f: +44 (0)1636 653010 e: info@umcarchitects.com

Drawing Status:	Preliminary
Drawn / Checked:	jrh / AJL
Date:	23/06/2020
Scale:	1:500 A1

UMC Drawing Ref: 18095_D2101[A]
 Drawing no: Revision:
 BF12_UMC_XX_00_DR_A_2101_P01



